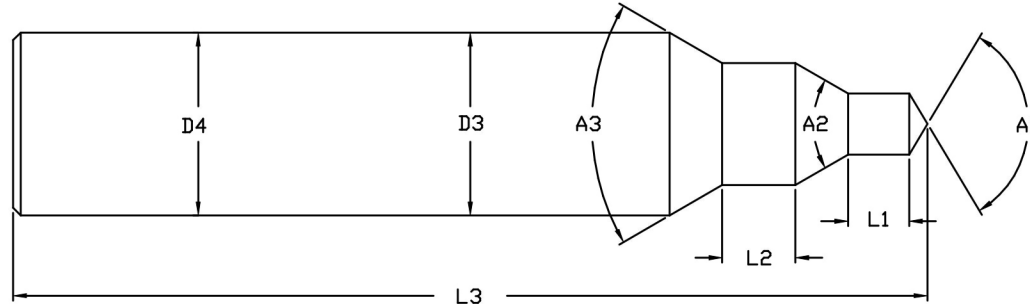


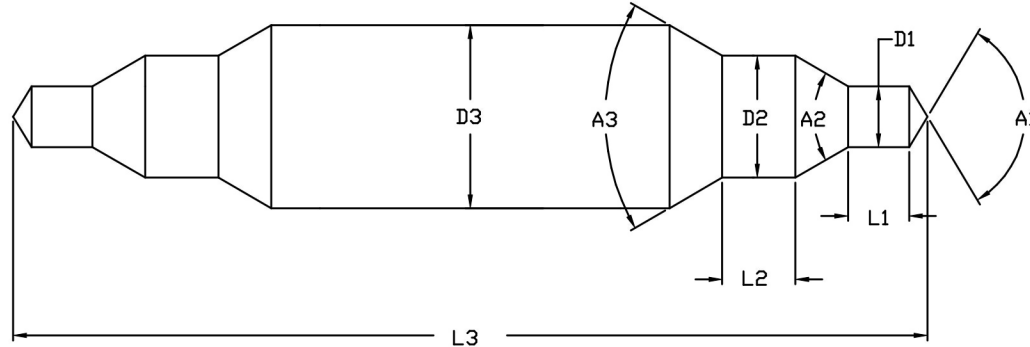
NOTE: THIS DRAWING IS THE PROPERTY OF THE LINK INDUSTRIES AND IS FURNISHED ON THE CONDITION THAT IT IS NOT TO BE REPRODUCED OR COPIED AND IS NOT TO BE USED, DIRECTLY OR INDIRECTLY, IN THE MAKING OF DRAWINGS, PRINTS, APPARATUS, OR PARTS THEREOF, WITHOUT WRITTEN AUTHORIZATION. LINK INDUSTRIES, INDIAN RIVER, MICH.

REVISIONS				
ZONE	REV	DESCRIPTION	DATE	APPROVED


SED



DED



D1 PILOT DIA	D2 STEP DIA	D3 BODY DIA	D4 SHANK DIA	L1 PILOT LENGTH	L2 STEP LENGTH	L3 OAL	A1 POINT ANGLE	A2 PILOT FORM ANGLE	A3 STEP ANGLE	RH or LH CUT	SED or DED

ADDITIONAL DATA	POINT STYLE	COATING	ROCKWELLS UNLESS OTHERWISE SPECIFIED		DO NOT SCALE DRAWING		 LINK INDUSTRIES 2208 SOUTH STRAITS HWY INDIAN RIVER, MI 49749 TEL: (231) 238-9012 FAX: -7202		
	CONV. SPLIT AIRCRAFT SPLIT NO SPLIT	TiN TiAlN AlCrN Ta-C	M-2	62-63.5	STANDARD TOLERANCE .00 +/- .010 .000 +/- .005 .0000 +/- .0005 UNLESS OTHERWISE SPECIFIED ALL ANGLES +/- 1°				
			M-42	65-66	MATERIAL:	SIZE	FSCM NO.	DWG NO.	REV
			T-15	65-67	HEAT TREAT & FINAL FINISH	SCALE	DATE	SHEET	
			PM-M48	65-67					